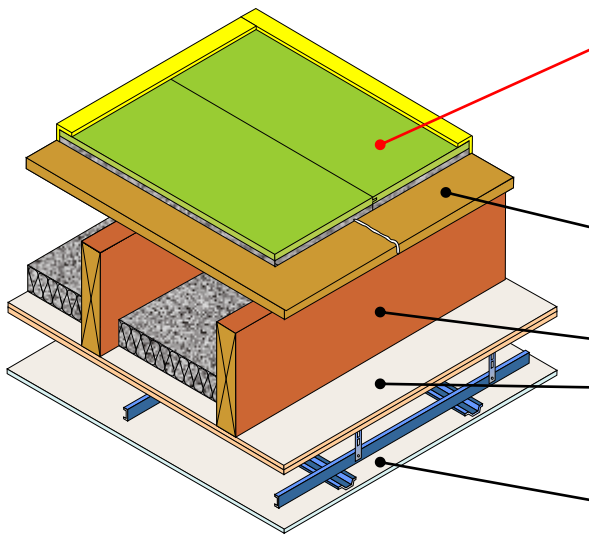


Existing timber joists
Acoustic treatment laid on sub-floor
Metal frame secondary ceiling



Floating floor treatment options	DECK <i>fon</i> MDF 17T DECK <i>fon</i> CHiP 26T DECK <i>fon</i> CHiP 30T (See Table TF16 for full details)
Floor decking	15mm thick (min) OSB or existing floor boards (with all gaps sealed with suitable flexible mastic)
Joists	Solid timber joists
Absorbing material	<ul style="list-style-type: none"> • 50mm FIBRE <i>fon</i> MICRO SLAB 50 • 100mm (min) mineral wool insulation (45kg/m³) between joists
Ceiling	See Table TF16 for ceiling treatment

Fig. TF16 shows DECK *fon* MDF 17T and ES5/60 flanking strip



FASTRACKCAD
ARCHITECTURAL CAD DATABASES

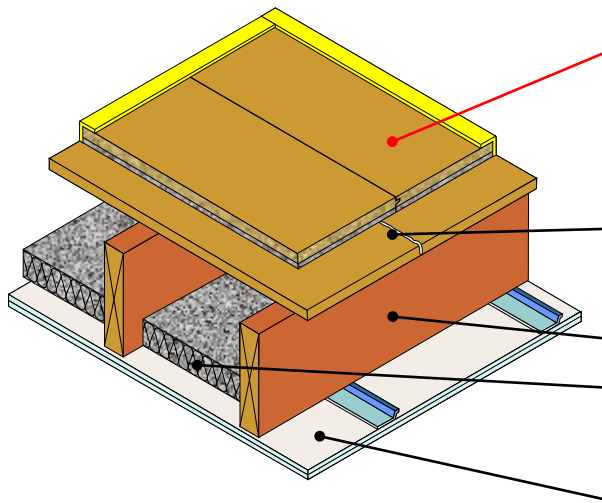
Table TF16

PCT floating floor treatment options	Perimeter resilient flanking strip required	Ceiling treatment
<p>DECK <i>fon</i>® MDF 17T Shallow composite acoustic overlay board</p> <p>Typical PCT performance⁽²⁾ $Rw + C_v = 51dB$ $L_{n,w} = 55dB$</p> <p>Product information Board dimensions: 17mm x 600mm x 2400mm Edge profile: Tongue and groove (MR MDF) Weight: 7.45kg/m² / 10.74kg per board</p>	<p>YELO <i>fon</i>® ES5/60</p> <p>Polyethylene foam flanking strip: 5mm x 60mm x 50mm installed around the perimeter of the flooring board to isolate floor from walls and skirting.</p>	<p>Primary ceiling fixed directly to joists with metal frame ceiling system providing 100mm (min) ceiling void fixed to underside</p> <p>Primary ceiling: Gypsum-based boarded ceiling with a nominal weight of 16kg/m² directly fixed to the floor joists.</p> <p>Sacrificial ceiling: Metal ceiling system with a 100mm (min) void fixed to underside of primary ceiling. One layer of nominal 8kg/m² gypsum based board.</p>
<p>DECK <i>fon</i>® CHiP 26T Composite acoustic overlay board</p> <p>Typical PCT performance⁽²⁾ $Rw + C_v = 52dB$ $L_{n,w} = 56dB$</p> <p>Product information Board dimensions: 26mm x 600mm x 2400mm Edge profile: Tongue and groove (P5 chipboard) Weight: 13.40kg/m² / 19.29kg per board</p>	<p>YELO <i>fon</i>® FS30</p> <p>Pre-formed polyethylene foam flanking angle: 6mm x 30mm 50mm x 2m installed around the perimeter of the flooring board to isolate floor from walls and skirting.</p>	<p>Construction note Services must not puncture ceiling linings (except cables, which should be sealed with flexible sealant).</p>
<p>DECK <i>fon</i>® CHiP 30T Composite acoustic overlay board</p> <p>Typical PCT performance⁽²⁾ $Rw + C_v = 52dB$ $L_{n,w} = 55dB$</p> <p>Product information Board dimensions: 30mm x 600mm x 2400mm Edge profile: Tongue and groove (P5 chipboard) Weight: 15.80kg/m² / 22.76kg per board</p>	<p>YELO <i>fon</i>® FS30</p> <p>Pre-formed polyethylene foam flanking angle: 6mm x 30mm 50mm x 2m installed around the perimeter of the flooring board to isolate floor from walls and skirting.</p>	

Construction notes
Materials must be installed in accordance with manufacturers' instructions to achieve stated acoustic values. Wall treatments **MUST** be isolated from the floating floor with YELOfon flanking strip. Ensure services do not come into contact with the floor treatment. Once laid, MDF 17T boards should be covered with the final floor finish as soon as possible to eliminate the risk of mechanical damage to the edge detail.

Acoustic values
⁽²⁾ Test data quoted was conducted in a UKAS accredited laboratory in accordance with Approved Document E: Annex B: Procedures for sound insulation testing. Airborne results tested in accordance with BS EN ISO 140-3:1995 Impact results tested in accordance with BS EN ISO 140-6:1998

Existing timber joists
Acoustic treatment laid on sub-floor
Ceiling on resilient bars



Floating floor treatment options

DECKfonMDF 17T
DECKfonCHIP 26T
DECKfonCHIP 30T
(See Table TF17 for full details)

Floor decking

15mm thick (min) OSB or existing floor boards (with all gaps sealed with suitable flexible mastic)

Joists

Solid timber joists

Absorbing material

- 50mm FIBREfon MICRO SLAB 50
- 100mm (min) mineral wool insulation (45kg/m³) between joists

Ceiling

See Table TF17 for ceiling treatment

Fig. TF17 shows DECKfonCHIP26T and FS30 flanking strip



FASTRACKCAD
ARCHITECTURAL CAD DATABASES

Table TF17

PCT floating floor treatment options	Perimeter resilient flanking strip required	Ceiling treatment
<p>DECKfon[®] MDF 17T Shallow composite acoustic overlay board</p> <p>Typical PCT performance⁽²⁾ $R_w + C_{tr} = 50\text{dB}$ $L_{n,w} = 56\text{dB}$</p> <p>Product information Board dimensions: 17mm x 600mm x 2400mm Edge profile: Tongue and groove (MR MDF) Weight: 7.45kg/m² / 10.74kg per board</p>	<p>YELOfon[®] ES5/60</p> <p>Polyethylene foam flanking strip: 5mm x 60mm x 50m installed around the perimeter of the flooring board to isolate floor from walls and skirting.</p>	<p>Ceiling boards must not penetrate or touch the floor joists 16mm (min) metal resilient bars mounted at right angles to the joist at 400mm centres.</p> <p>Ceiling treatment Two layers of gypsum-based board, composed of 15mm (nominal 12.5kg/m²) fixed with 25mm screws and a second layer of 15mm (nominal 12.5kg/m²) fixed with 42mm screws, with all joists staggered.</p>
<p>DECKfon[®] CHIP 26T Composite acoustic overlay board</p> <p>Typical PCT performance⁽²⁾ $R_w + C_{tr} = 51\text{dB}$ $L_{n,w} = 57\text{dB}$</p> <p>Product information Board dimensions: 26mm x 600mm x 2400mm Edge profile: Tongue and groove (P5 chipboard) Weight: 13.40kg/m² / 19.29kg per board</p>	<p>YELOfon[®] FS30</p> <p>Pre-formed polyethylene foam flanking angle: 6mm x 30mm 50mm x 2m installed around the perimeter of the flooring board to isolate floor from walls and skirting.</p>	<p>Construction note Services must not puncture ceiling linings (except cables, which should be sealed with flexible sealant).</p>
<p>DECKfon[®] CHIP 30T Composite acoustic overlay board</p> <p>Typical PCT performance⁽²⁾ $R_w + C_{tr} = 51\text{dB}$ $L_{n,w} = 56\text{dB}$</p> <p>Product information Board dimensions: 30mm x 600mm x 2400mm Edge profile: Tongue and groove (P5 chipboard) Weight: 15.80kg/m² / 22.76kg per board</p>	<p>YELOfon[®] FS30</p> <p>Pre-formed polyethylene foam flanking angle: 6mm x 30mm 50mm x 2m installed around the perimeter of the flooring board to isolate floor from walls and skirting.</p>	

Construction notes

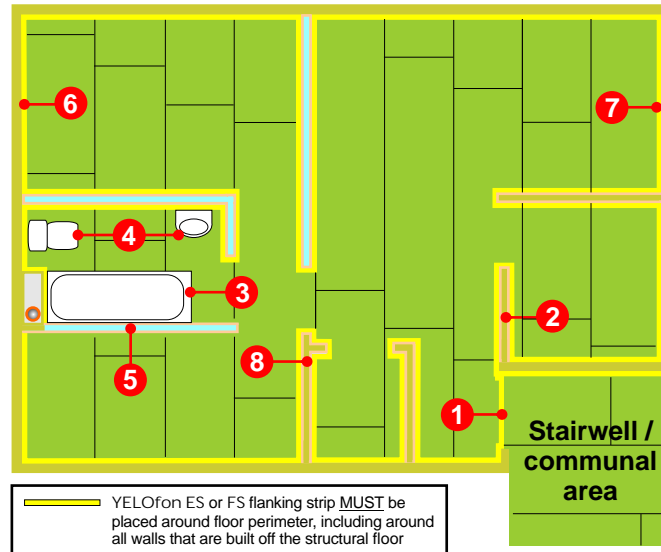
Materials must be installed in accordance with manufacturers' instructions to achieve stated acoustic values. Wall treatments **MUST** be isolated from the floating floor with YELOfon flanking strip. Ensure services do not come into contact with the floor treatment. Once laid, MDF 17T boards should be covered with the final floor finish as soon as possible to eliminate the risk of mechanical damage to the edge detail.

Acoustic values

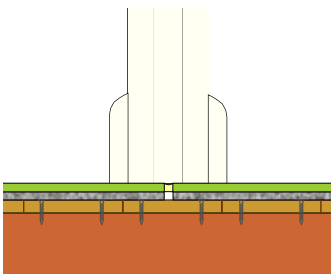
⁽²⁾ Test data quoted was conducted in a UKAS accredited laboratory in accordance with Approved Document E: Annex B: Procedures for sound insulation testing. Airborne results tested in accordance with BS EN ISO 140-3:1995 Impact results tested in accordance with BS EN ISO 140-6:1998

Design & installation details - PCT refurbishment treatments

The acoustic performance of the floor structure will be compromised if the acoustic treatment is not completely isolated from the timber joists, sub-floor, services, door frames, surrounding walls and their treatments. To address this risk, each potential problem area needs to be detailed accordingly.

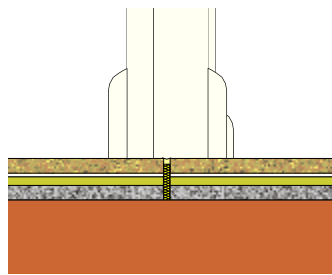


1a Door thresholds

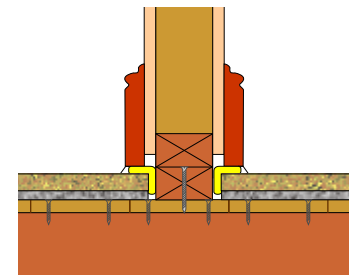


Leave a 5-10mm expansion gap between the habitable area floor treatment and the communal area floor treatment.

1b

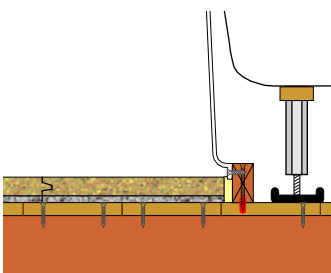


2 Timber stud partition



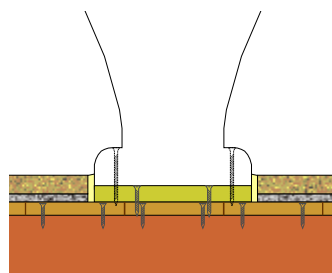
Lightweight internal walls should be built off the structural floor deck and **MUST** be isolated from the acoustic floor treatment with YELOfon ES or FS strip.

3 Bath and shower trays



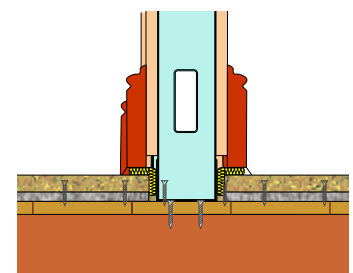
Baths and shower trays should be built off a structural floor and **MUST** be isolated from the acoustic floor treatment and any floor finished. Any gaps should be sealed with a suitable mastic.

4 Sanitary ware



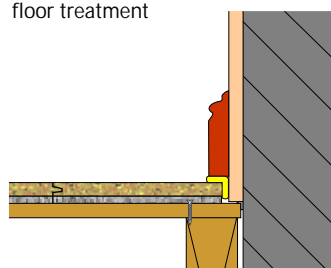
Sanitary ware should be built off a structural floor and **MUST** be isolated from the acoustic floor treatment and any floor finished. Any gaps should be sealed with a suitable mastic.

5 Metal frame partition built off the structural floor



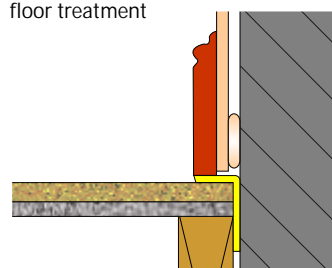
Lightweight internal walls built off the structural floor must be isolated from the acoustic floor treatment with YELOfon ES or FS strip.

7 Wall treatment installed before the floor treatment



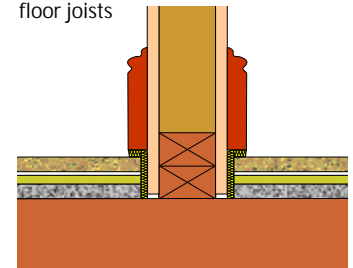
Wall treatments **MUST** be isolated from the acoustic floor treatment with YELOfon ES or FS strip, and all gaps sealed with a suitable mastic.

7 Wall treatment installed after the floor treatment



Wall treatments **MUST** be isolated from the acoustic floor treatment with YELOfon ES or FS strip, and all gaps sealed with a suitable mastic.

8 Lightweight partitions built off the floor joists



Lightweight internal walls built off the floor joists **MUST** be isolated from the acoustic treatment with YELOfon ES or FS strip.